

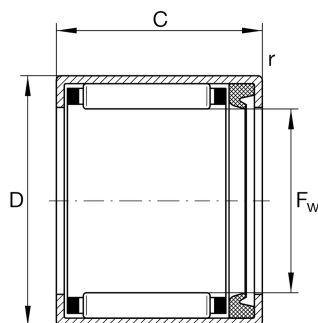
## HK2218-RS

Drawn cup needle roller bearing open end

Schaeffler ID:  
0007010680968

Drawn cup needle roller bearings with open ends HK..-RS, lip seal on one side, to DIN 618

### Technical information



#### Main Dimensions & Performance Data

$F_w$	22 mm	Under roller diameter
$D$	28 mm	Outside diameter
$C$	18 mm	Width
$C_r$	13,400 N	Basic dynamic load rating, radial
$C_{0r}$	22,100 N	Basic static load rating, radial
$C_{ur}$	2,850 N	Fatigue load limit, radial
$n_G$	7,000 1/min	Limiting speed
$n_{G \text{ Grease}}$	7,000 1/min	Limiting speed for grease lubrication
	22.24 g	Weight

#### Dimensions

$C_1$	18 mm	Width, outer ring
$r_{\min}$	0.8 mm	Minimum chamfer dimension
	IR17X22X23-XL	Suitable inner rings IR

#### Temperature range

$T_{\min}$	-20 °C	Operating temperature min.
$T_{\max}$	100 °C	Operating temperature max.